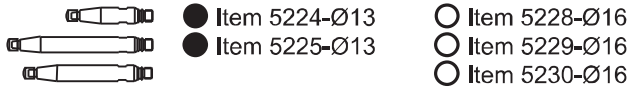


Selection of Arms, Electrodes and Accessories

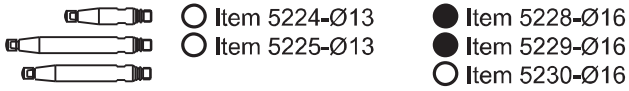
Electrodes Item 8659



Accessories Item 8659



Electrodes Item 8669

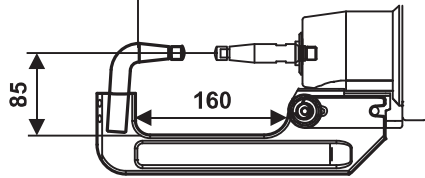


Accessories Item 8669



Item 8685 - 8685/W - 8685/W/S

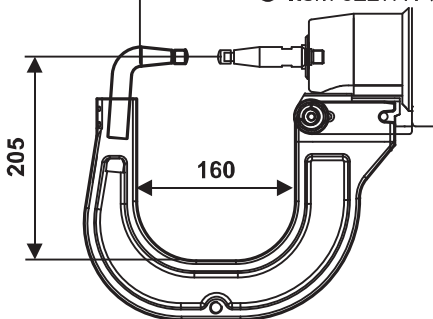
- Item 5226-Ø13
- Item 5226/W-Ø13
- Item 5227/W-Ø16



- Standard for item 8659
- Standard for item 8669

Item 8684 - 8684/W - 8684/W/S

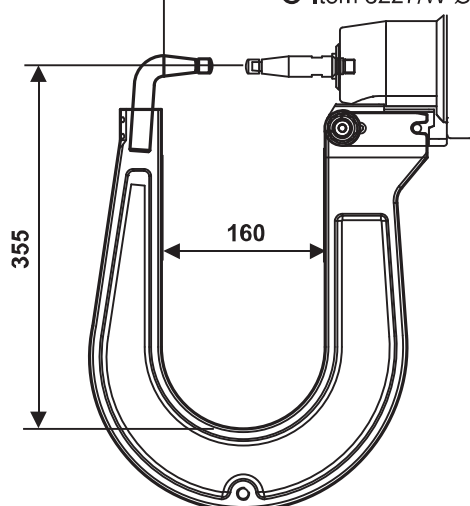
- Item 5226-Ø13
- Item 5226/W-Ø13
- Item 5227/W-Ø16



- Standard for item 8659
- Standard for item 8669

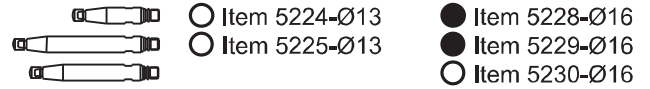
Item 8686 - 8686/W - 8686/W/S

- Item 5226-Ø13
- Item 5226/W-Ø13
- Item 5227/W-Ø16



- Standard for item 8659
- Standard for item 8669

Electrodes Item 8669 - 8679T - 8679TS

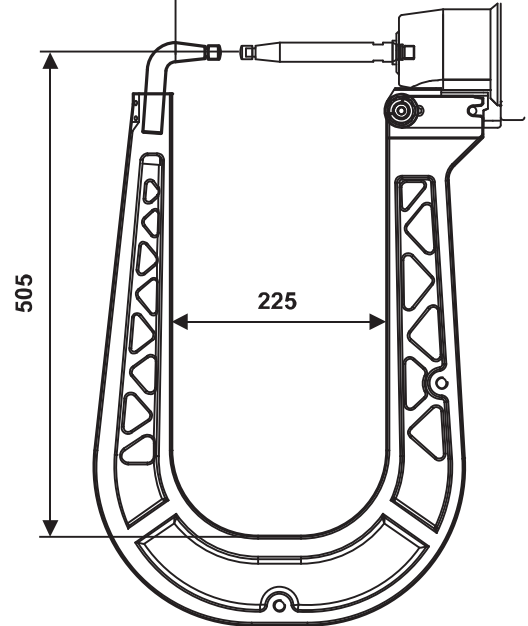


Accessori art. 8669 - 8679T - 8679TS



Item 8688 - 8688/W - 8688/W/S

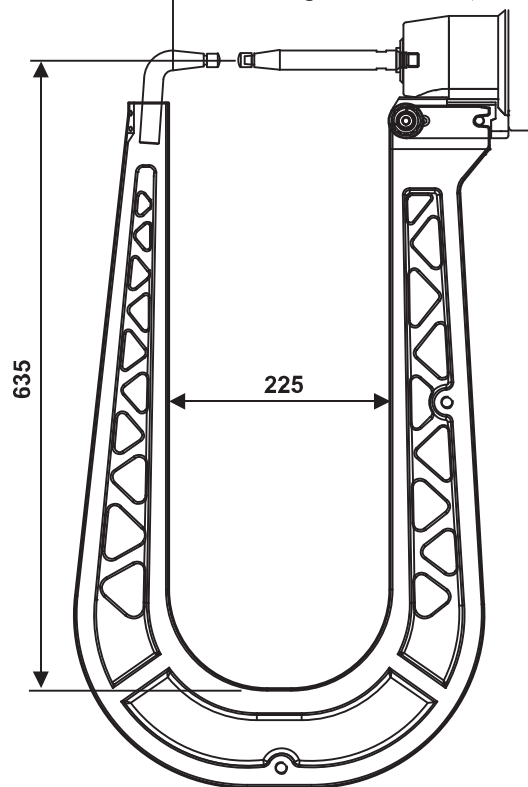
- Item 5226-Ø13
- Item 5226/W-Ø13
- Item 5227/W-Ø16



- Standard for item 8659
- Standard for item 8669

Item 8687 - 8687/W - 8687/W/S

- Item 5226-Ø13
- Item 5226/W-Ø13
- Item 5227/W-Ø16



- Standard for item 8659
- Standard for item 8669